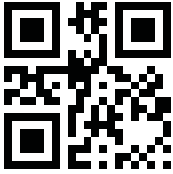


C Series Double Channel TC & RTD Isolated Safety Barrier



→ Introductions

This isolated safety barrier converts the thermocouple/ thermal resistance signals from a hazardous area into current or voltage signals to a safe area. DIN rail power supply function can be selected in ordering.

The input, output, and power supply are galvanically isolated from each other. Calibrate the apparatus or modify parameters by using a handheld programmer.

→ Parameters

Explosive-proof grade: [Ex ia Ga] IIC; [Ex ia Da] IIIC

Power supply:

Connection type: Terminals (14+, 15-) or DIN rail connector

Rated voltage: 18V DC ~ 60V DC (Recommended: 24V DC)

Input (1, 2, 3; 4, 5, 6): TC, 2/3-wire RTD

The input signal needs to be determined when ordering and can also be programmed.

Line resistance: $\leq 20 \Omega$ per line

Output (7, 8, 9; 10, 11, 12):

Sink mode: 4 ~ 20 mA; 20 ~ 4 mA

Output current: 0(4) ~ 20 mA; 0 ~ 10 mA; 20 ~ 4 mA

Output voltage: 0(1) ~ 5 V; 0 ~ 10 V

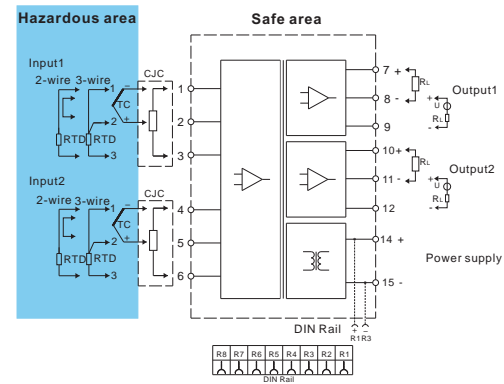
Note: 4~20mA Outputs can be configured NAMUR NE 43.

Output ripple: $\leq 5 \text{ mV}_{\text{rms}}$ (Load resistance: 250 Ω)

Load resistance:

Sink mode: $R_L \leq [(U-3)/0.02] \Omega$; U: Loop power supply

0(4) ~ 20 mA, $R_L \leq 550 \Omega$; $R_L \leq 550 \Omega$



Nanjing New Power Electric Technology Co., Ltd.

(waterproofing, small foreign objects). It is suitable for installation in the control room or high density field cabinet, DIN 35 mm installation is convenient for installation and displacement.

- The devices were designed for use in pollution degree 2 and overvoltage category III as per IEC/EN 60664-1. If used in areas with higher pollution degree, the devices need to be protected accordingly.
- Installation position shall not be affected by strong mechanical vibration; impact and electromagnetic induction from signal terminal and power supply, should conform with the requirements on electromagnetic interference resistance of products in Class 3 industrial field atmosphere stipulated in IEC 61000-4; the atmosphere shall be free from gases that are corrosive to metal and plastic components.
- The apparatus may only be operated, maintained and decommissioned by competent according with the instruction manual, and it must be installed, connected and adjusted in non-hazardous area.
- The operator must strictly comply with the relevant local apparatus may